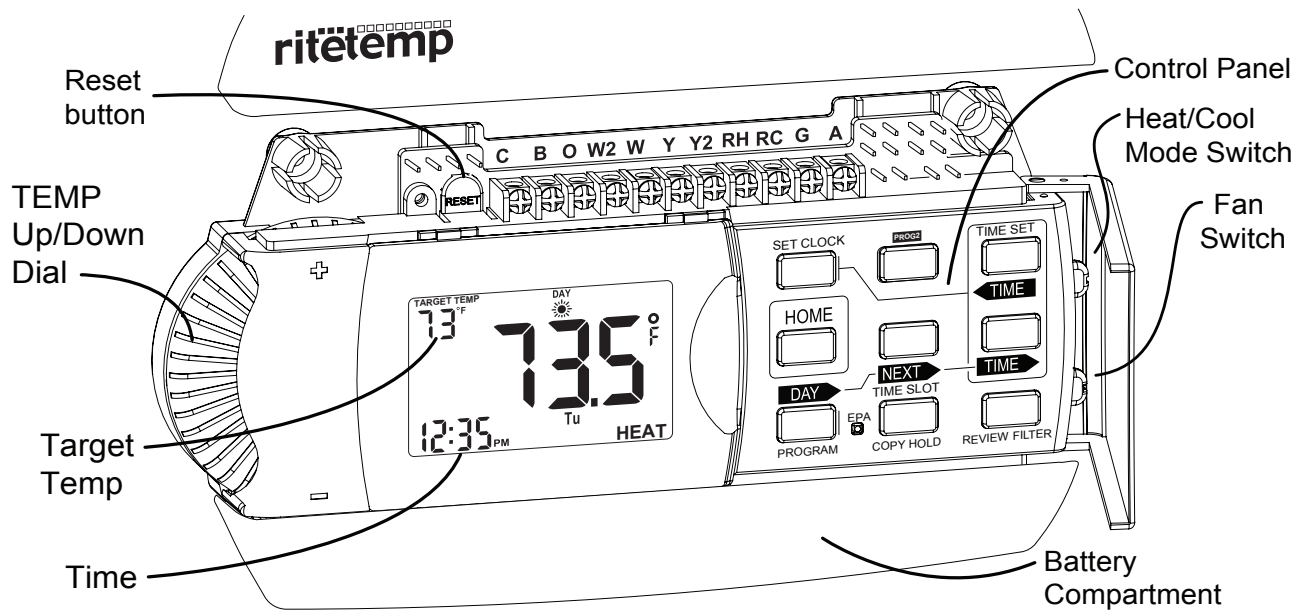


---

# Operation Guide 6025 ritētemp<sup>®</sup>

---



Statement of use: The 6025 can be used with - millivolt, 24V single and 2-stage conventional systems, gas/oil/electric heat, 1-stage heat pumps, 2 -stage heat pumps, zoned hot water (2 or 3 wire), zoned forced air, single and 2-stage cooling, and hybrid systems.

ENGLISH

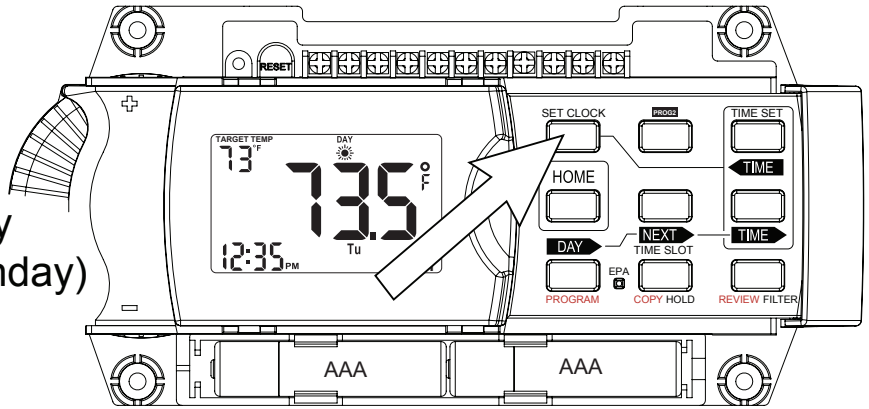
## Set Clock

### Set day of the week -

- Press SET CLOCK *once* to set the **day** of the week. The day of the week display flashes. (Initially **SU** for Sunday)
- Press **← TIME** or **TIME →** to select the day.

### Set time of day -

- Press SET CLOCK *again* to set the **time**. The time display will flash.
- Press **← TIME** or **TIME →** to set the time. Press and hold to set the time in the fast mode.
- Press HOME to store your settings.



HEAT	MORN	DAY	EVEN	NIGHT
	6:00am	8:00am	6:00pm	10:00pm
All Days	70°F	62°F	70°F	62°F

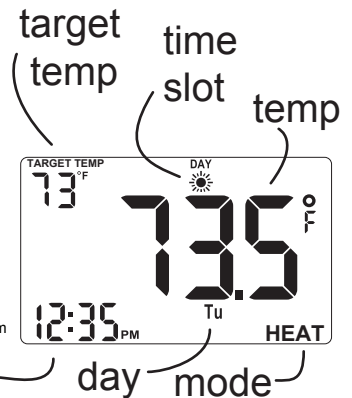
COOL	MORN	DAY	EVEN	NIGHT
	6:00am	8:00am	6:00pm	10:00pm
All Days	78°F	85°F	78°F	82°F

## EPA Program



This Thermostat comes preprogrammed with an Energy-Star™ approved program. This program is recommended by the EPA for energy efficiency. We strongly recommend that you use this program for one week, and see if it works for you. If it does not fit your needs you can always input a custom program.

- To Run the Energy-Star™ program, select HEAT or COOL with the mode switch. The unit is now running the Energy-Star™ program. To return to the E-star program press **EPA**.
- One of the TIME SLOT icons MORN, DAY, EVEN, NITE comes on, this indicates the TIME SLOT active in the Energy-Star™ program. For program details refer to the Energy-Star™ time program chart above.



## Program

NOTE: **60 Second Rule-During** programming, if a button is not pushed within 60 seconds, the unit will go out of the set mode.

Everything you have input in this programming will automatically be saved.

- **Select HEAT with the HEAT/Cool MODE switch.**
- **To select the DAY you want to program:** Press **PROGRAM** to enter programming mode. The **PROGRAM** icon will come on. The day icon will show **SU** (Sunday). Press **DAY** again to advance the day selection.
- **Select the TIME SLOT you want to program:** To change the TIME SLOT (**MORN, DAY, EVEN, NITE**) press the **NEXT** button. The display will cycle through the time periods in sequence. Select **MORN**.
- **Select the desired temperature for that TIME SLOT :** To change the temperature for that TIME SLOT turn the TEMP +/- dial.
- **Select the time of day you want that TIME SLOT to represent:** To set the time when **MORN** will begin , press the **TIME** or **TIME** buttons to move the set point forward or backward in time.
- **Select the next TIME SLOT and program temp and time:** Press **NEXT** the display will show **DAY**. Repeat setting temp and time. Select the remaining TIME SLOT's, **EVEN** and **NITE**. Program their temp and time info. Repeat the above procedures for each day of the week. Push **DAY** button to cycle through the days.

PG 4

To **COPY** the program of the current day to another day, press **COPY** program once. **COPY** will display on the LCD. The day icon for the source day will go solid and the day icon for the destination day will flash. Use day button to select the destination day. Press **COPY** again to confirm the copy. If you decide you don't want to copy, press **HOME** to exit.

PG 5

## Program cont.

**PROG 2:** An alternative program can be used for holidays, shift work, etc. Access by pushing the **PROG 2** button. **PROG 2** will then be active until you shut it off by touching the **PROG 2** button again. The main program will then again be active. To change **PROG 2** press **DAY** until **PROG 2** is displayed and repeat the programming procedure.

- When finished with your custom program, either wait 60 sec or press HOME to save and run your program.

To program for **COOL**, select COOL with the Heat/Cool MODE switch and repeat the above procedure.

To **REVIEW** the program you have entered: Press PROGRAM once to enter programming mode. Then press **FILTER/REVIEW** once.

PG 6

The display will cycle through the programmed times and temps, showing each program for 12 seconds. Starting from Sunday; **MORN** and ending on Saturday; **NITE**. The programmed temperature is shown on the left of the LCD, the programmed time, day and time slot are shown on the right and the right top of the LCD respectfully.

- Press HOME to leave program REVIEW mode and run the program.

## Special Features - Swing

**SWING** setting determines the temperature difference from ON to OFF that the 6025 will command the HVAC system to run.

- With the MODE switch in HEAT or COOL, press the **TIME** button.
- The **SWING** icon is displayed. The current setting of temp swing is shown on the display (default at .5°F).

To change the swing, press the **TIME** or **TIME** buttons. The furnace will cycle more at the lower numbers as it tries to keep your set point constant.

To complete the swing setting, push the **HOME** button.

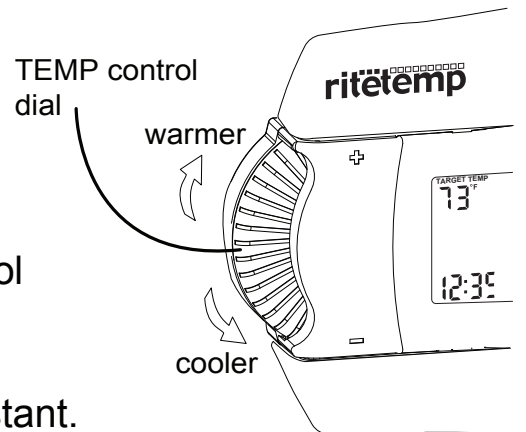
PG 7

## Manual

- With the MODE switch in HEAT or COOL, turn temp control dial to temporarily change the control temperature by 1 degree per step.

NOTE: to avoid accidental setting changes initial touch is delay .5sec. After that all functions are instant.

- The OVERRIDE icon flashes to show the displayed temperature may be different from the programmed setting.
- The OVERRIDE is canceled at the start of the next time period, or when the MODE switch is moved, or if **TEMP HOLD** is pressed *twice*.



## Temp HOLD

**To change and hold the temperature until you return.**

- Open the door and push the **HOLD** button. The **HOLD** icon comes on. Turn the temp control dial to set the hold temperature.
- HOLD is canceled if the MODE switch is moved, or press **HOLD** again.

## Lock

**Allows you to lock the 6025 (to prevent any changes in custom settings)**

- To enable or disable the program lock, press the following buttons one at a time, in this sequence.

◀ **TIME** then **FILTER**, then **SET CLOCK**, and last **HOME**.

The LOCK icon (a key) appears when the system is locked.



- Repeat to unlock

## Filter

The life of a HVAC filter varies depending on many factors, furnace run time, and this will vary from the filter life noted on the filter media. The 6025 has a feature that keeps track of actual furnace run time and reminds you to periodically replace your system's air filter.

- Press the FILTER button once to review the current filter record. The FILTER and WKS icons come on with filter run-weeks being displayed.
- Press **TIME** to clear the record. Press again to recover old run-time.
- To SET or see the LIMIT FILTER setting, press and hold the FILTER button for two seconds. The default filter limit is set to 0 weeks and the max setting is 99 weeks. Use the **TIME TIME** buttons to set the filter limit. The LIMIT FILTER must be set to get a FILTER warning on the HOME screen when the filter needs service.

To leave the filter display, press HOME or wait 60 seconds.

PG 10

## Low Battery

- When the batteries are low, the battery icon will come on and flash. The two AAA Batteries in the unit need to be replaced. In some installations your heater system will stop functioning when the thermostat loses power. **Replace batteries as soon as you see this warning.** The thermostat programs will remain for 30 seconds while the batteries are removed and replaced.



- Do not take longer than 30 sec to change the batteries in your unit or you will lose all custom settings and all programming. Only the Energy-Star™ program will remain. Once the batteries are replaced, the system will return to normal in 2 seconds.

PG 11

## C or F display

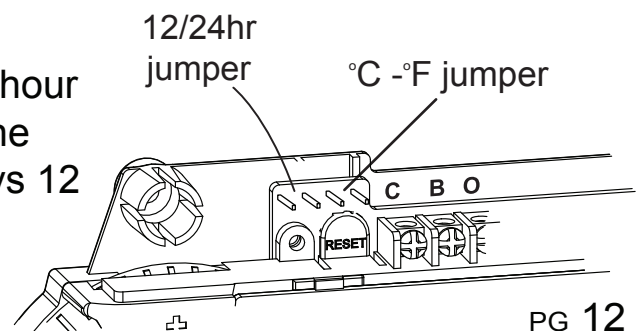
Celsius / Fahrenheit selection. The C/F jumper is on the top left of the 6025:  
With the jumper OFF 6025 displays Fahrenheit.

When changed, the thermostat must be reset to activate the change. When resetting, all custom settings and programming will be erased and only the Energy-Star™ program will remain.

## 12/24 hour

The thermostat can display time in 12 or 24 hour formats. The 12/24 jumper is on the top of the 6025. With the jumper OFF the 6025 displays 12 hour time, 24 hour time with the jumper ON.

When changed, the thermostat must be **RESET** to activate the change.



## Calibration

NOTE: Your thermostat comes from the factory calibrated to + or - 1°F actual temperature. It is an accurate instrument. If you want your thermostat to display the same temperature as another thermometer in your home, you can adjust its calibration.

To change the calibration:

Mode switch of the unit must be in the HEAT or COOL position.

Press the **← TIME** button.

Turn the Temp +/- dial to adjust the offset temperature reading.

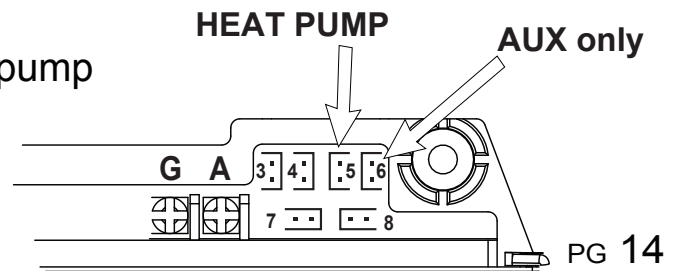
Press HOME to save the new setting.

## HEAT PUMP AUX only

If you have a heat pump with auxiliary heat, and the heat pump is not working properly, your thermostat will still keep your room temperature within about 2F of the target temperature.

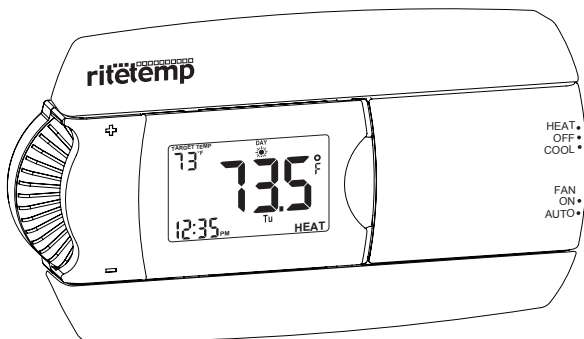
- To select Auxiliary ONLY heat by temporarily moving the HEAT PUMP [Jumper 5] jumper to the AUX ONLY position [Jumper 6]. This will keep your room temperature within the swing setting of the target temperature.

- Be sure to restore it to PUMP when the pump is again operational as aux heat is more expensive than pump heat.



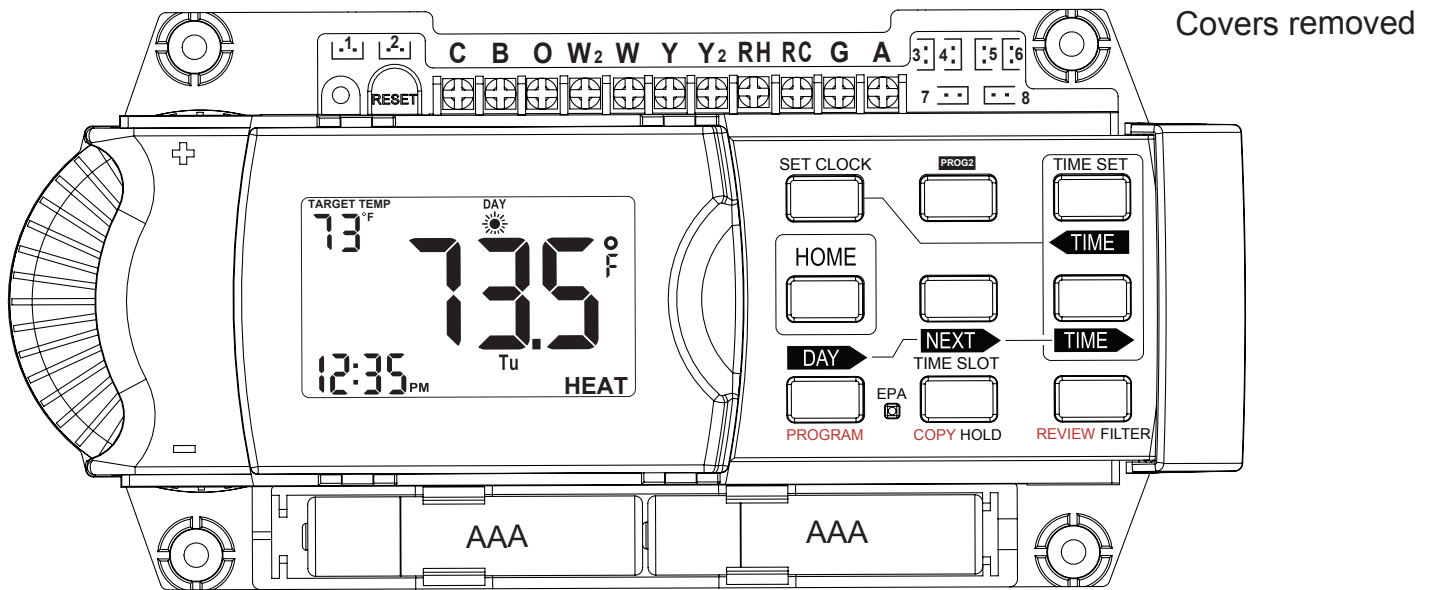
## 6025 Features

This thermostat can be used with all millivolt and 24VAC heating and cooling systems. It cannot be used with line voltage systems. This thermostat is digital and your desired heat or cool temperatures can easily be set on the large screen with the +/- dial. A minimum 4 minute off time protects heating and cooling systems from damage.



This thermostat uses a new technique called sequential staging for more comfort with faster reaction to requested temperature changes when controlling 2 stage systems.





**Customer Support: 877-505-2353 or  
Visit our website [www.ritetemp-thermostats.com](http://www.ritetemp-thermostats.com)**

1611-023